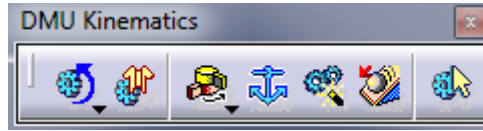


Start → Digital Mockup → DMU Kinematic



Simulation With laws



Fixed Part

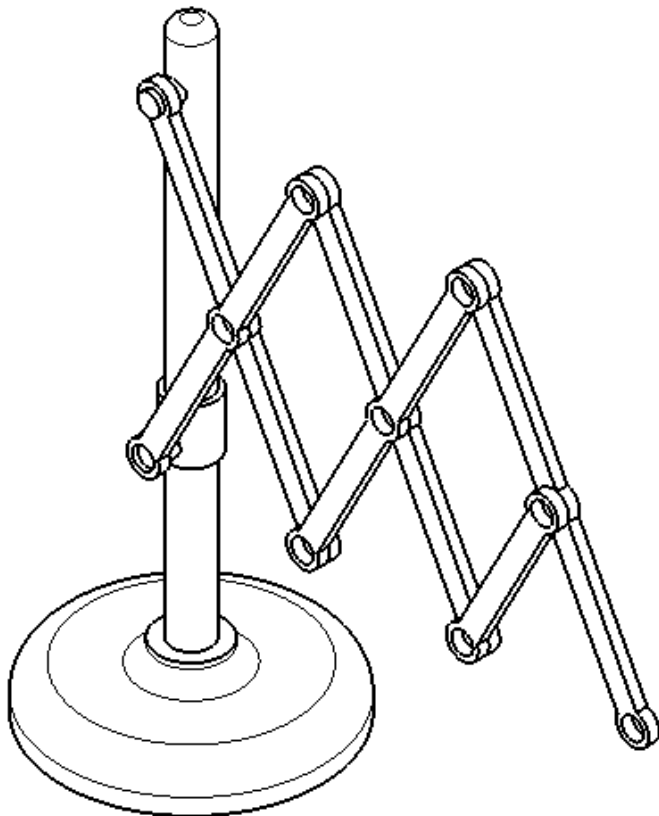


Speed and Acceleration



Formula

Mechanism 3



Mechanism 4

