



Parallelogram

Centered Parallelogram

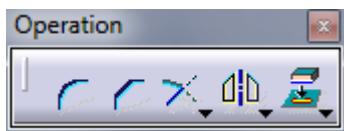


Tri-Tangent Circle

Three Point Arc

Three Point Arc Starting With Limits

Arc

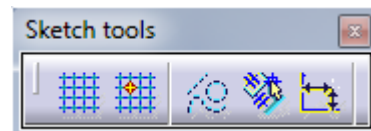


Corner
Chamfer



Translate

Rotate



Geometrical Constraints
Dimensional Constraints

تمرین ۱ -

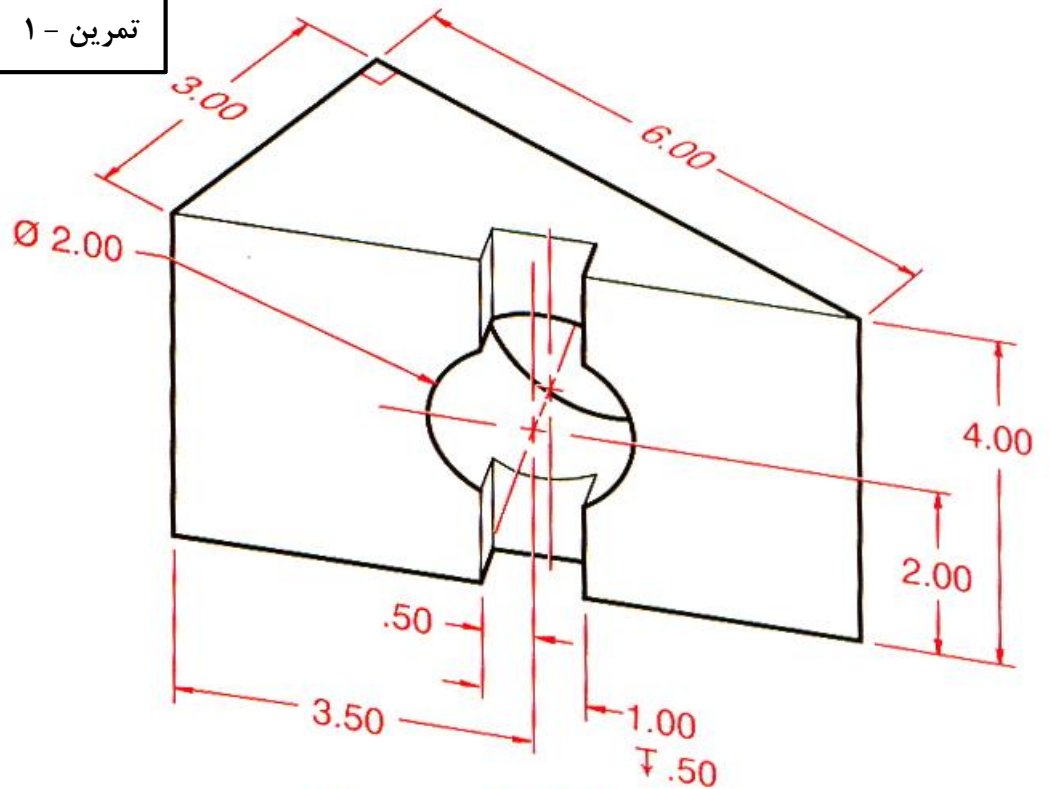


Figure 8.96

تمرین ۲ -

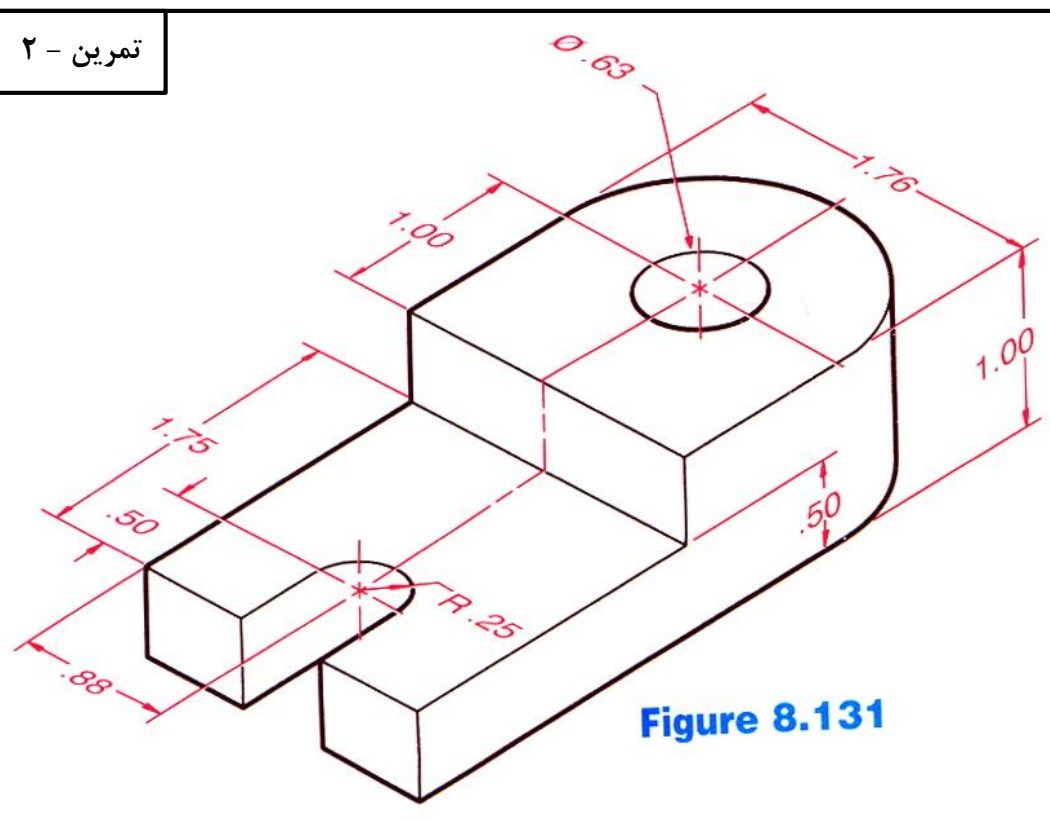


Figure 8.131

تمرین - ۳

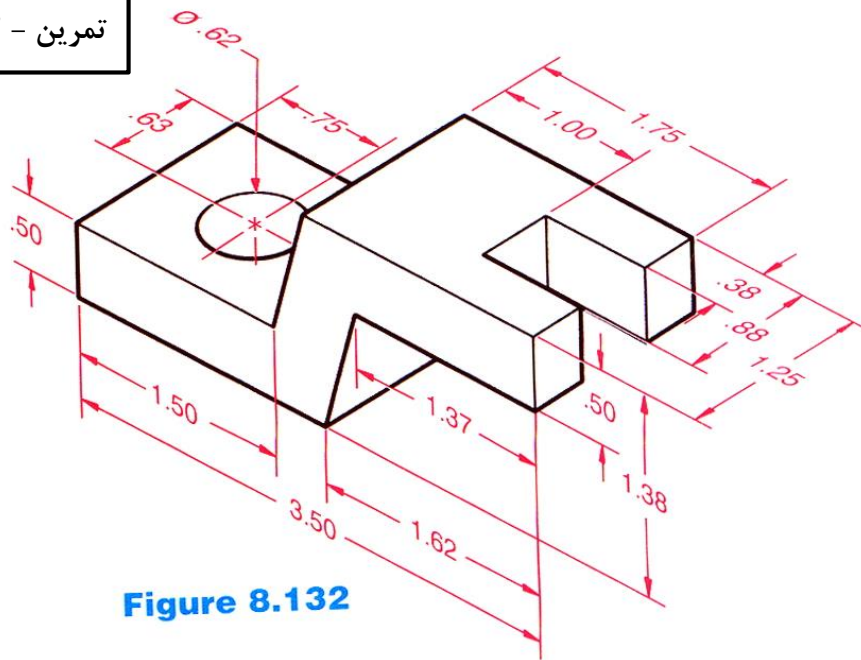


Figure 8.132

تمرین - ۴

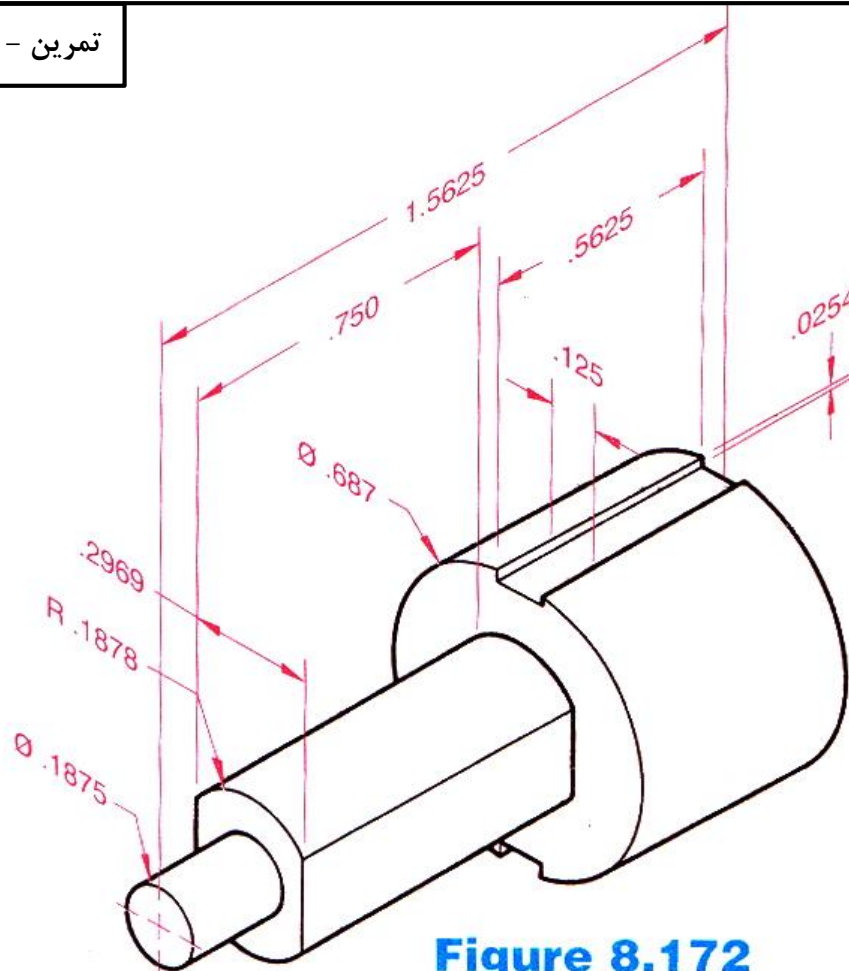


Figure 8.172